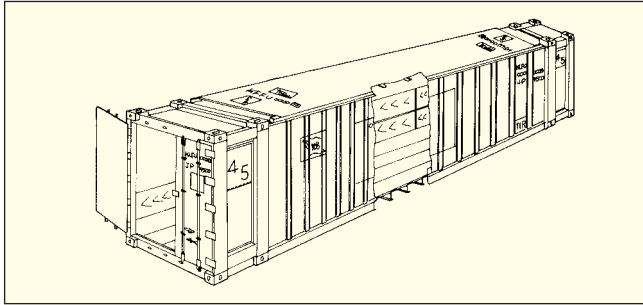


45' HC Containers



Height	Material	Tare Weight (kg/lbs)	Max* Cargo Cap. (kg/lbs)	Door Opening		Inter Dimensions			Interior Cube (m ³ /cft)
				Width (mm/ft)	Height (mm/ft)	Length (mm/ft)	Width (mm/ft)	Height (mm/ft)	
9'- 6"	Steel	4,730 10,430	25,750 56,770	2,340 7' 8"	2,585 8' 6"	13,556 44' 6"	2,352 7' 9"	2,698 8' 10"	85.9 3,045

Remarks * : Subject to road and rail weight limitations.
: Above are typical figures for this type of containers.